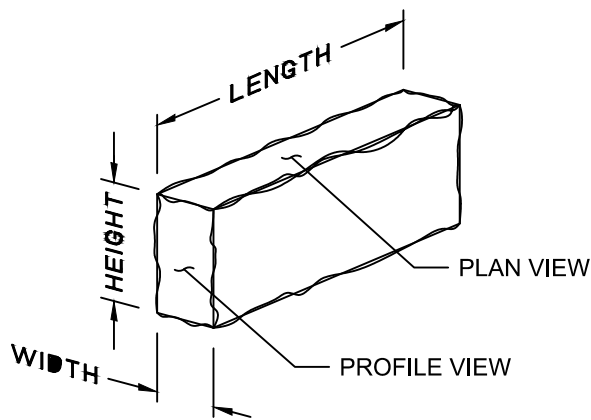


EXPANSION JOINT

NOTE:

1. #3 REBAR WILL BE CENTERED IN CONCRETE CURB PER DETAIL.
2. CONTROL JOINT SHOULD BE TOOLED EVERY 10 FEET ALONG LENGTH OF TRAIL.
3. CONSTRUCT 3/4" REDWOOD EXPANSION JOINTS AT MAXIMUM 40'- 0" SPACING ALONG LENGTH OF TRAIL. EXPANSION JOINTS SHALL INCLUDE A SMOOTH DOWEL CENTERED IN CURB PLACED 6" FROM TOP AND BOTTOM AND 3" FROM EACH SIDE.

CONCRETE CURB

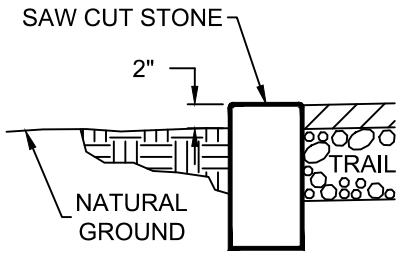


SAW CUT STONE UNMORTARED DIMENSIONS	
DIMENSION	MINIMUM
LENGTH	18 INCHES
HEIGHT	8 INCHES
WIDTH	6 INCHES

SAW CUT STONE MORTARED DIMENSIONS	
DIMENSION	MINIMUM
LENGTH	12 INCHES
HEIGHT	6 INCHES
WIDTH	6 INCHES

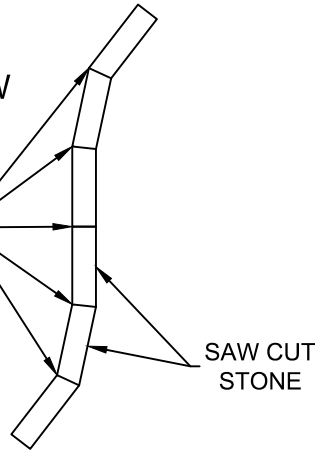
SAW CUT STONE DIMENSION

The City of San Marcos Engineering and Capital Improvements		CURRENT AS OF 1/1/2021	IMPROVED HIKE AND BIKE TRAIL BORDER	
RECORD COPY SIGNED BY	12/11/2015	THE ARCHITECT/ENGINEER ASSUMES RESPONSIBILITY FOR APPROPRIATE USE OF THIS STANDARD.	STANDARD NO. 1301S-2-SM	
Laurie Moyer, P.E.	ADOPTED		1 OF 2	



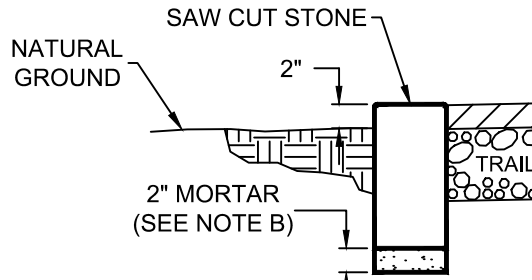
PROFILE VIEW

PLACE FLUSH
(SEE SAW CUT STONE
CURVE DETAIL)



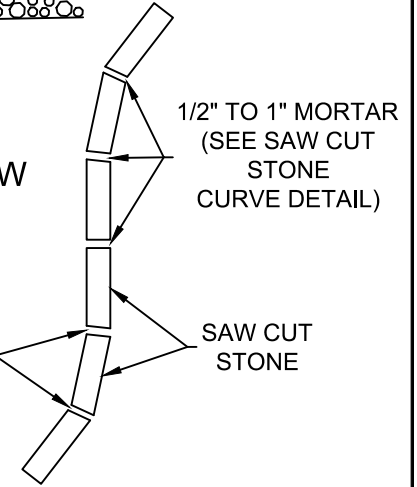
PLAN VIEW

SAW CUT STONE
UNMORTARED



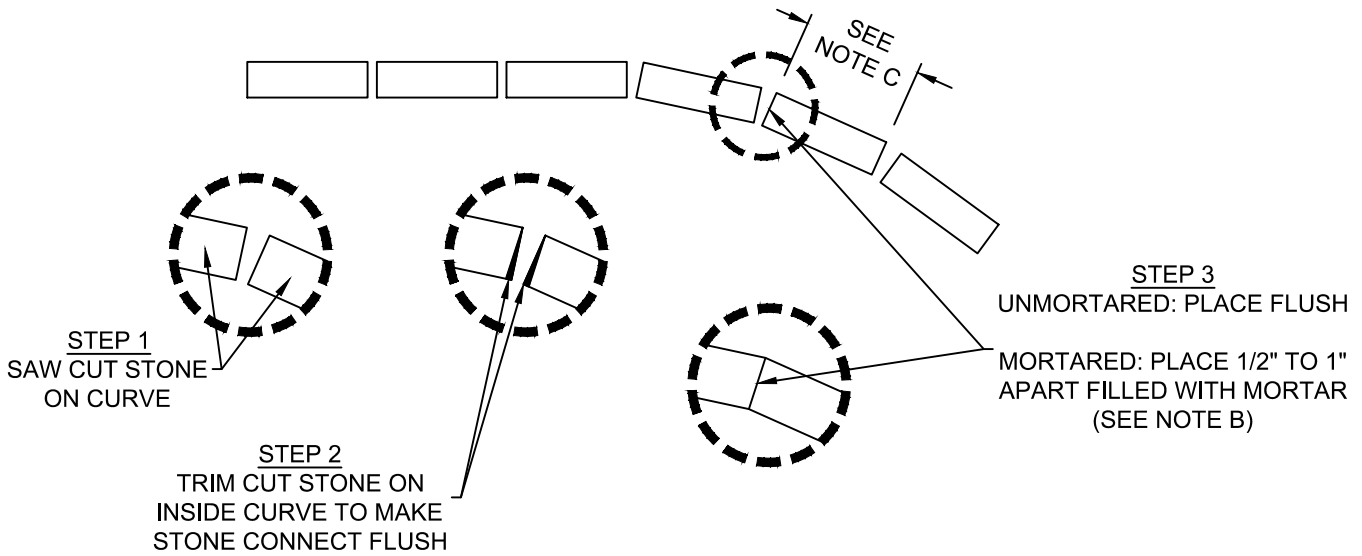
PROFILE VIEW

1/2" TO 1" MORTAR
(SEE SAW CUT STONE
CURVE DETAIL)



PLAN VIEW

SAW CUT STONE
MORTARED



SAW CUT STONE CURVE DETAIL

NOTES:

- A. OTHER TRAIL BORDER MAY BE APPROVED BY THE CITY ON A CASE BY CASE BASIS.
- B. MORTAR WILL BE 2500 PSI AND COMPLETELY FILL THE VOID BETWEEN CUT STONES.
- C. SEE SAW CUT STONE TABLES FOR MINIMUM OUTER LENGTH.

<p>The City of San Marcos Engineering and Capital Improvements</p>	<p>CURRENT AS OF 1/1/2021</p>	<p>IMPROVED HIKE AND BIKE TRAIL BORDER</p>	
<p>RECORD COPY SIGNED BY LAURIE MOYER, P.E.</p>	<p>12/11/2015 ADOPTED</p>	<p>THE ARCHITECT/ENGINEER ASSUMES RESPONSIBILITY FOR APPROPRIATE USE OF THIS STANDARD.</p>	<p>STANDARD NO. 1301S-2-SM 2 OF 2</p>