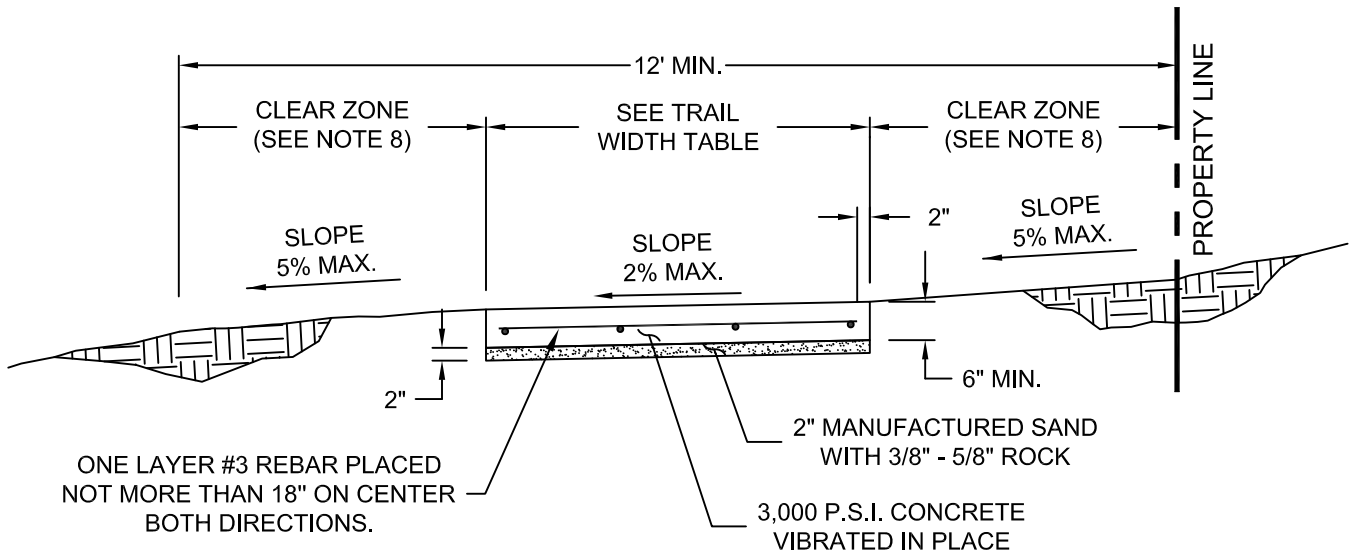


CONCRETE TRAIL PLAN VIEW

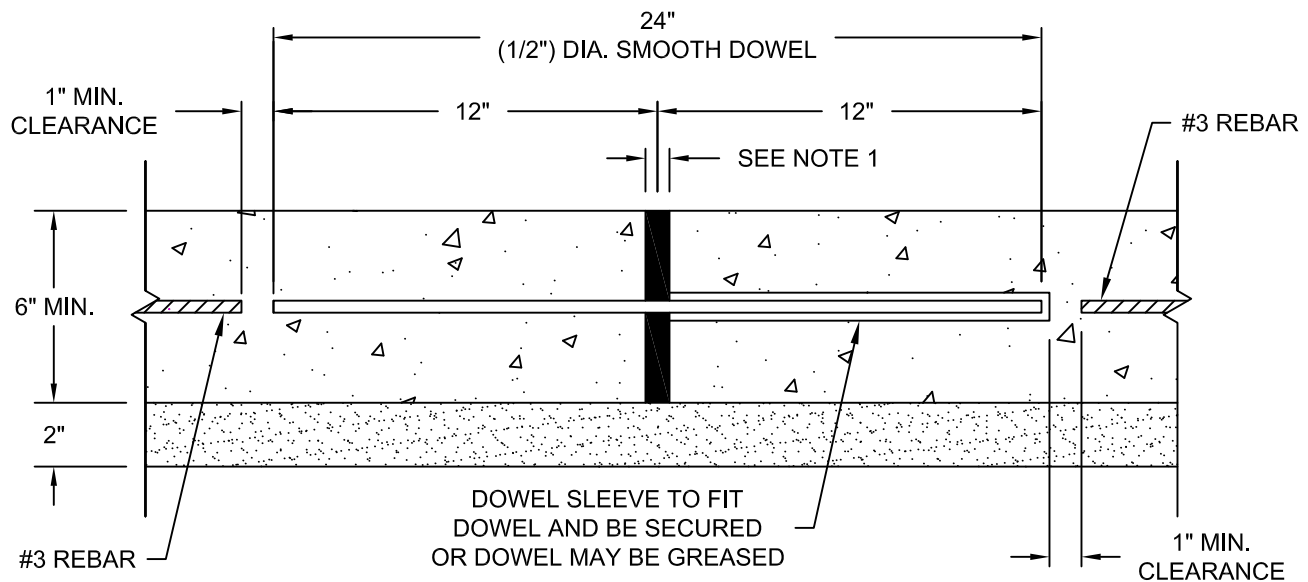


SECTION A - A

REBAR PLACEMENT NOTES:

1. REINFORCEMENT SHALL BE ACCURATELY PLACED AT SLAB MID-DEPTH AND HELD FIRMLY IN PLACE BY MEANS OF BAR SUPPORTS OF ADEQUATE STRENGTH AND NUMBER THAT WILL PREVENT DISPLACEMENT AND KEEP THE STEEL AT ITS PROPER POSITION DURING THE PLACEMENT OF THE PORTLAND CEMENT CONCRETE.
2. IN NO INSTANCE SHALL THE STEEL BE PLACED DIRECTLY ON THE SUBGRADE, SAND CUSHION LAYER OR CLOSER THAN 2" TO THE OUTSIDE EDGE OF THE CONCRETE.

The City of San Marcos Engineering and Capital Improvements		IMPROVED HIKE AND BIKE TRAIL - CONCRETE	
RECORD COPY SIGNED BY LAURIE MOYER, P.E.	12/11/2015 ADOPTED	THE ARCHITECT/ENGINEER ASSUMES RESPONSIBILITY FOR APPROPRIATE USE OF THIS STANDARD.	STANDARD NO. 1301S-1A-SM 1 OF 2



EXPANSION JOINT DETAIL

NOTES:

1. CONTROL JOINTS SHALL BE 1/4 INCH WIDE AND 3/4 INCH DEEP TOOLED OR SAW CUT INTO TRAIL.
2. CONSTRUCT 3/4" REDWOOD EXPANSION JOINTS AT MAXIMUM 40'- 0" SPACING ALONG LENGTH OF SIDEWALK. EXPANSION JOINTS SHALL INCLUDE SMOOTH DOWELS CENTERED TO THE JOINT AT 12" C-C.
3. IF SIDEWALK IS ADJOINED TO CURB, EXPANSION JOINT IS REQUIRED, UNLESS APPROVED BY THE CITY INSPECTOR.
4. SIDEWALKS DO NOT REQUIRE A BORDER ON SIDES.
5. RAMPS AT INTERSECTION WILL BE CONCRETE. AT STREET INTERSECTION FOLLOW CITY DETAIL 432S-3-SM.
6. TRAIL MARKERS OF APPROVED DESIGN SHOWING DISTANCE ALONG PATH AS DIRECTED BY CITY WITH TRAIL NAME AND DISTANCE FROM START. MARKERS MUST BE HIGHLY VISIBLE FROM BOTH DIRECTIONS ON THE TRAIL. TRAIL MARKERS TO BE PLACED 1 FOOT OFFSET FROM EDGE OF TRAIL.
7. MATERIALS AND CONSTRUCTION SHALL BE IN ACCORDANCE WITH THE SPECIFICATIONS.
8. CLEAR ZONE CAN BE SHIFTED TO ONE SIDE PER PROJECT'S CONSTRAINTS. CLEAR ZONE CAN NOT HAVE LARGE SHRUBS OR TREES WITHIN IT AND WILL HAVE 10 FEET (8 FEET MINIMUM) OF OVERHEAD CLEARANCE. TREES 9" OR LARGER REQUIRE MITIGATION PER CODE IF REMOVED.

TRAIL WIDTH TABLE	
TYPE OF PARK	WIDTH OF TRAIL
REGIONAL PARKS	10 - 12 FEET
NEIGHBORHOOD PARKS	5 FEET
GREEN SPACE	6 - 8 FEET
SPECIAL USE FACILITIES	5 FEET

REFERENCES
DETAIL 432-3-SM

PARKS AND RECREATION DEPARTMENT WILL
DETERMINE THE PARK DESIGNATION.

The City of San Marcos Engineering and Capital Improvements	IMPROVED HIKE AND BIKE TRAIL - CONCRETE	
RECORD COPY SIGNED BY _____ LAURIE MOYER, P.E.	12/11/2015 _____ ADOPTED	STANDARD NO. 1301S-1A-SM 2 OF 2
THE ARCHITECT/ENGINEER ASSUMES RESPONSIBILITY FOR APPROPRIATE USE OF THIS STANDARD.		