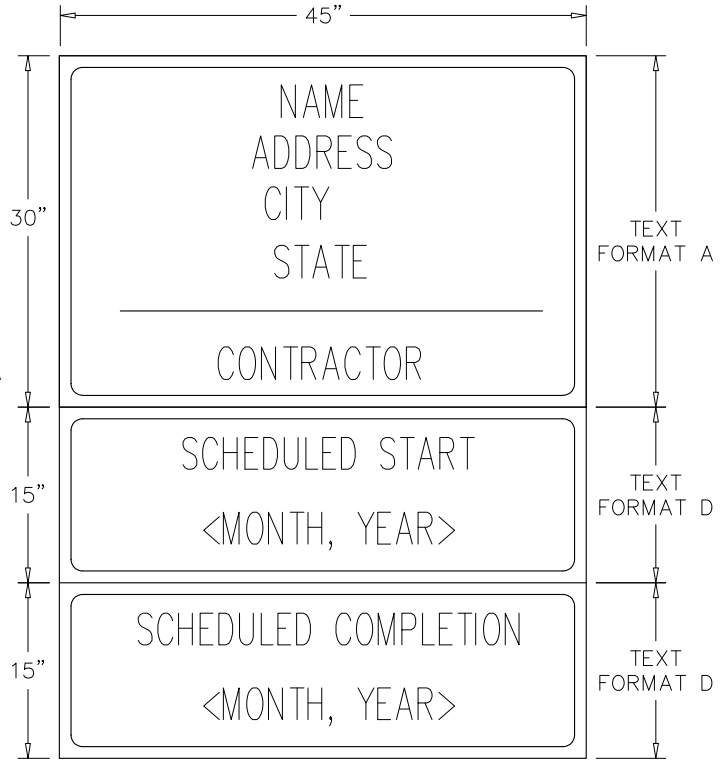
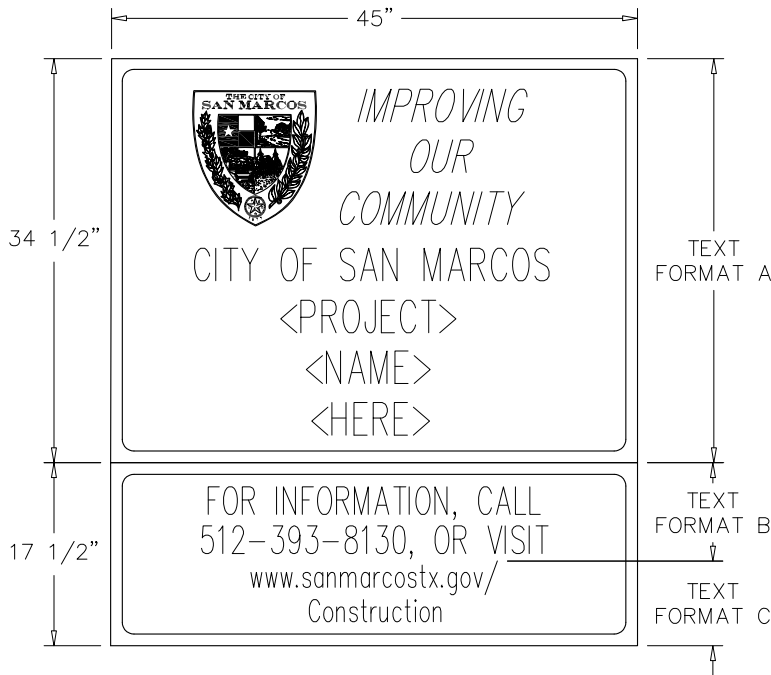


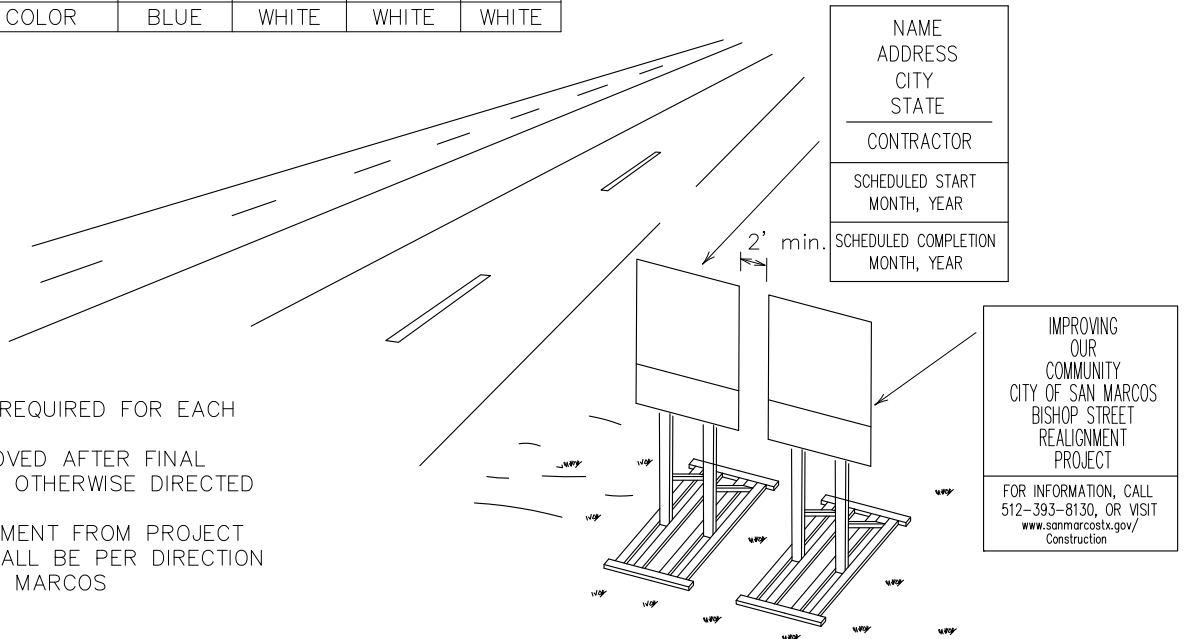
CITY OF SAN MARCOS LOGO  
(14" X 14") PROVIDED BY CITY



TEXT FORMAT				
FORMAT TYPE	A	B	C	D
SPACE BETWEEN TEXT AND EDGE OF SIGN TOP AND BOTTOM	2"	2"	2"	3"
TEXT SIZE	3"	2 1/2"	2"	3"
SPACE BETWEEN TEXT	1 1/2"	1 1/2"	1 1/2"	3"
BORDER THICKNESS WITH 1" RADIUS AT CORNERS	1"	1"	1"	1"
BACKGROUND COLOR	WHITE	BLUE	BLUE	BLUE
LEGEND AND BORDER COLOR	BLUE	WHITE	WHITE	WHITE

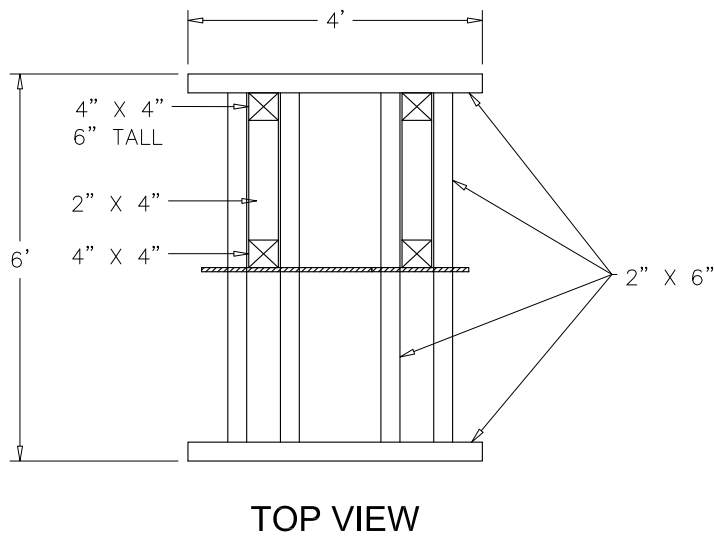
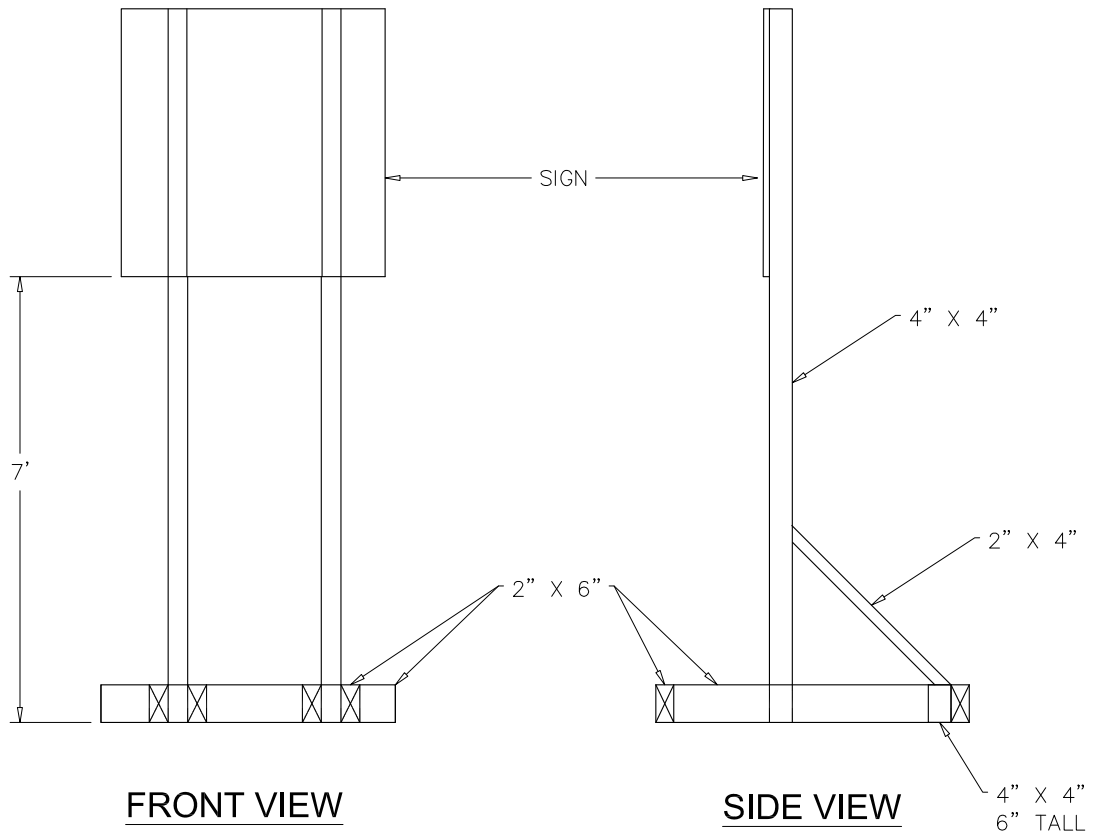
FOR MORE DETAIL ON MOVABLE SIGN SEE SHT 2 OF 2

- NOTES:
- ONE PAIR OF SIGNS REQUIRED FOR EACH POINT OF INGRESS.
  - SIGN SHALL BE REMOVED AFTER FINAL ACCEPTANCE UNLESS OTHERWISE DIRECTED BY OWNER.
  - DIMENSION OF PLACEMENT FROM PROJECT LIMITS AND CURB SHALL BE PER DIRECTION OF THE CITY OF SAN MARCOS



SHT 1 OF 2

<b>The City of San Marcos</b> Engineering and Capital Improvements	<b>CURRENT AS OF</b> <b>1/1/2022</b>	<b>PROJECT INFORMATION SIGNS</b>	
	RECORDED COPY SIGNED BY LAURIE MOYER, P.E.		



**NOTES:**

1. ALL MATERIALS SHALL BE FURNISHED BY THE CONTRACTOR WITH THE EXCEPTION OF THE CITY OF SAN MARCOS SEAL WHICH IS FURNISHED BY THE CITY.
2. LUMBER DIMENSIONS ARE NOMINAL.
3. THE MOVABLE SIGN MUST MEET THE SPECIFICATION FROM THE MANUAL ON UNIFORM TRAFFIC CONTROL DEVICES.